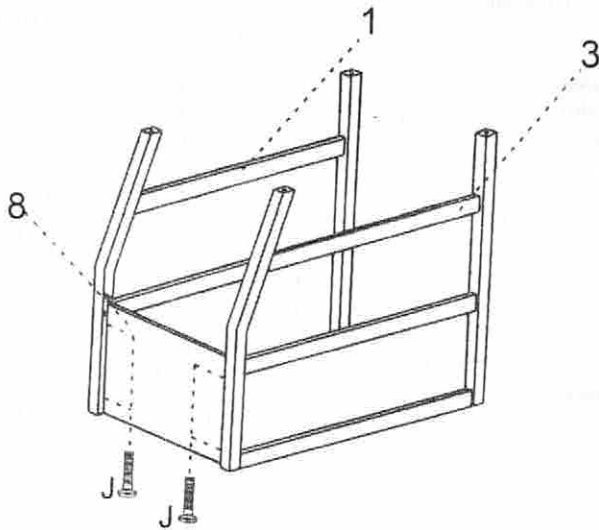


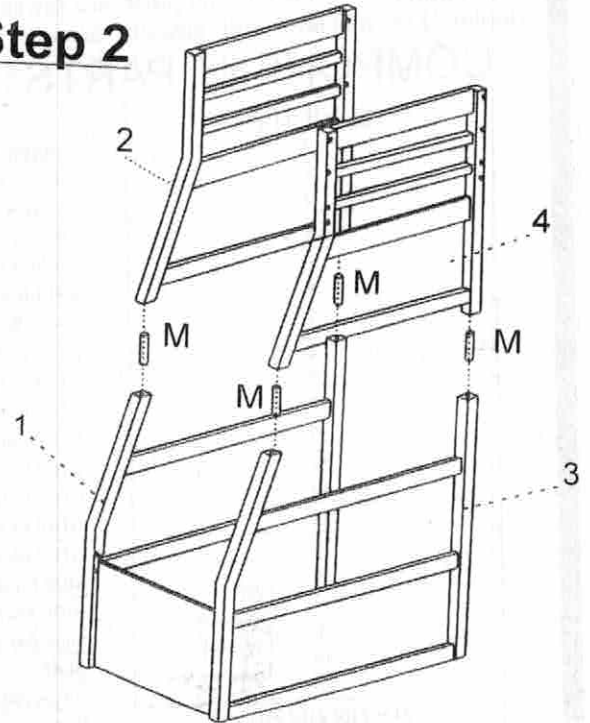
ASSEMBLY INSTRUCTION

MODEL: #HH3000 BUNKBED

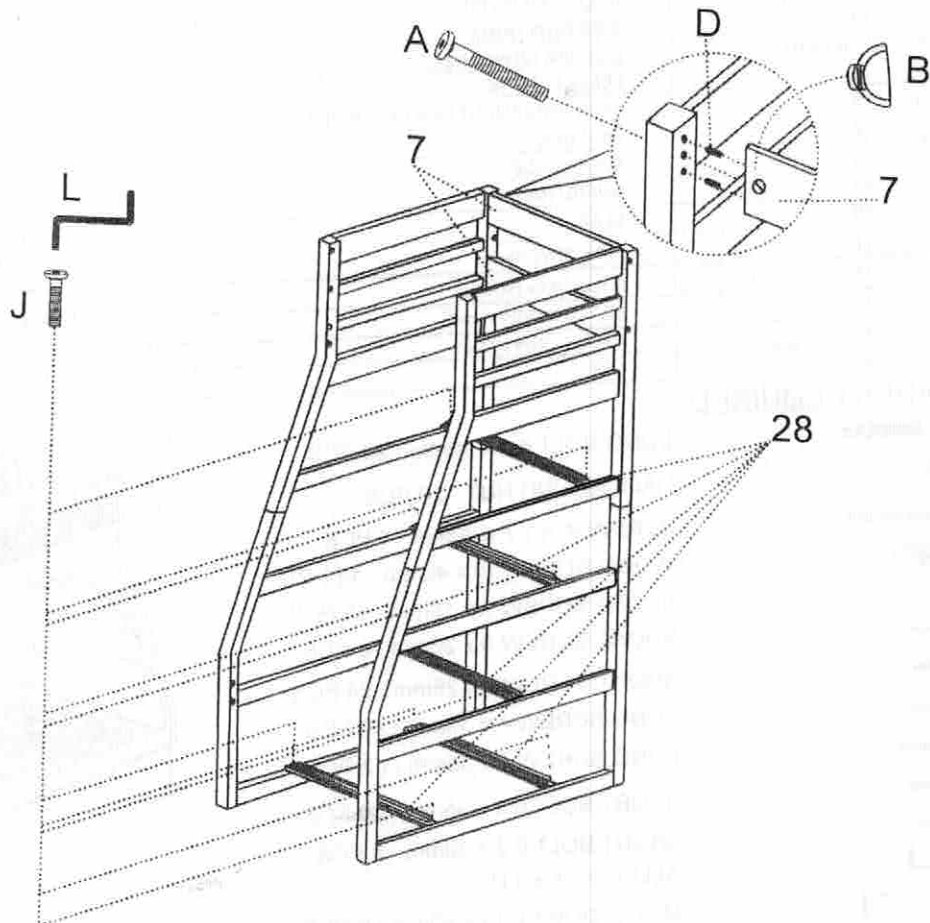
Step 1



Step 2



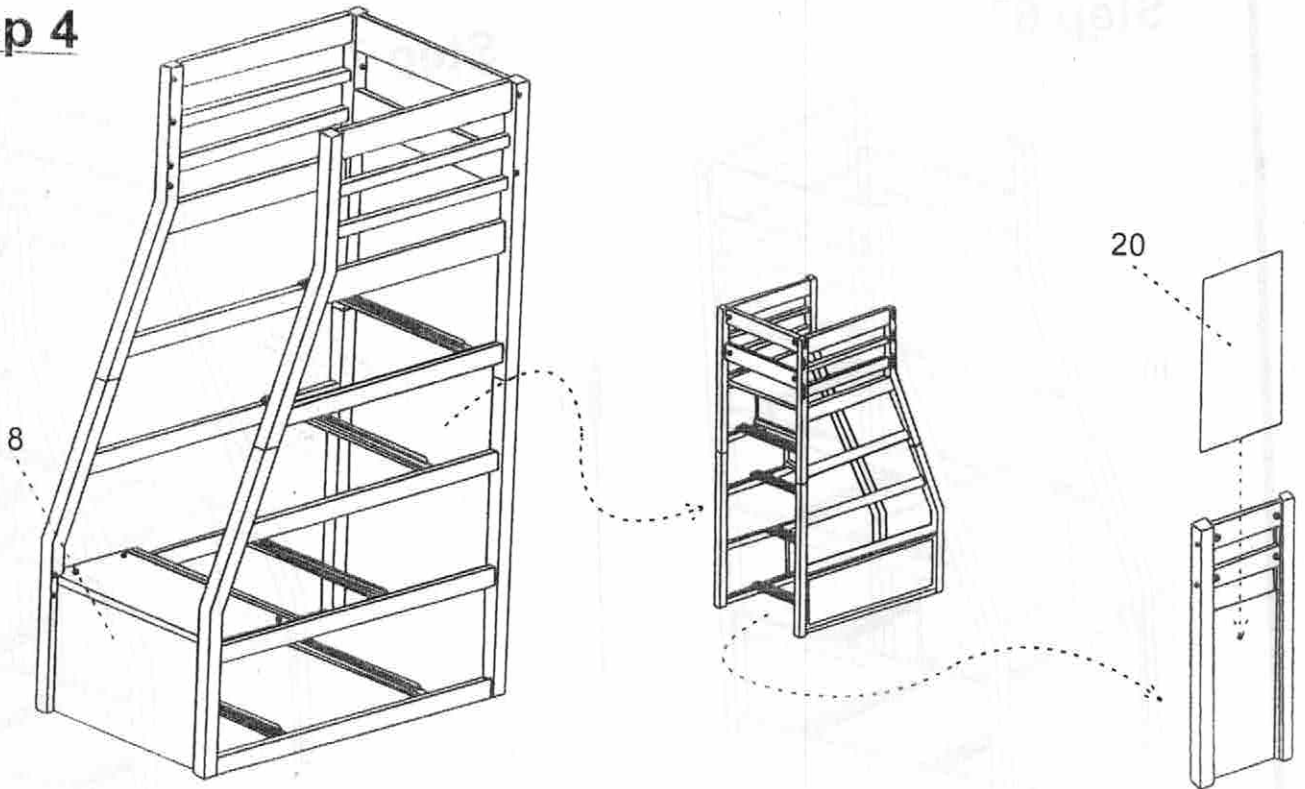
Step 3



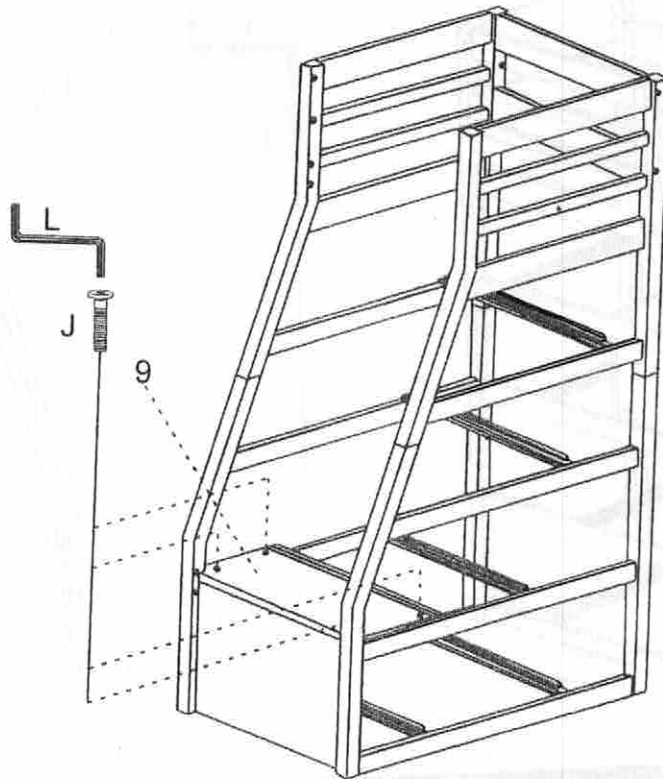
ASSEMBLY INSTRUCTION

MODEL: #HH3000 BUNKBED

Step 4



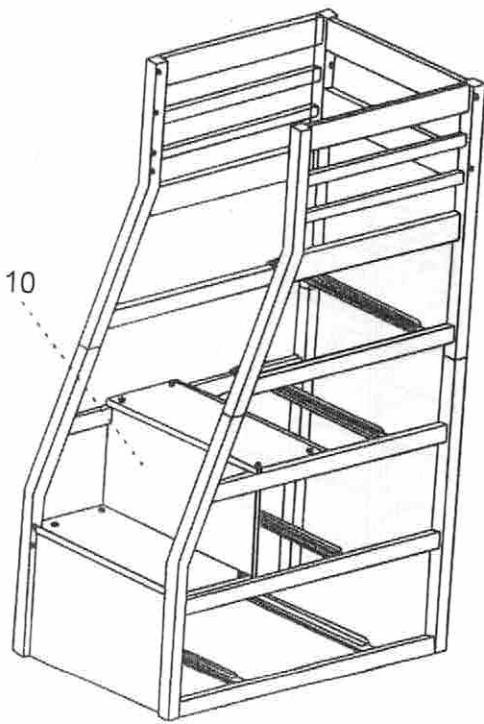
Step 5



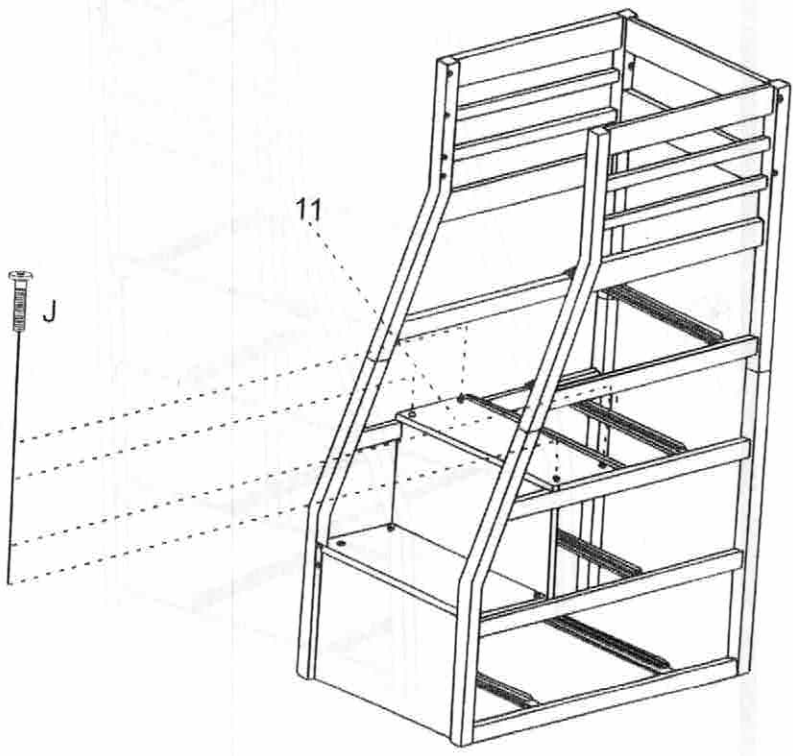
ASSEMBLY INSTRUCTION

MODEL: #HH3000 BUNKBED

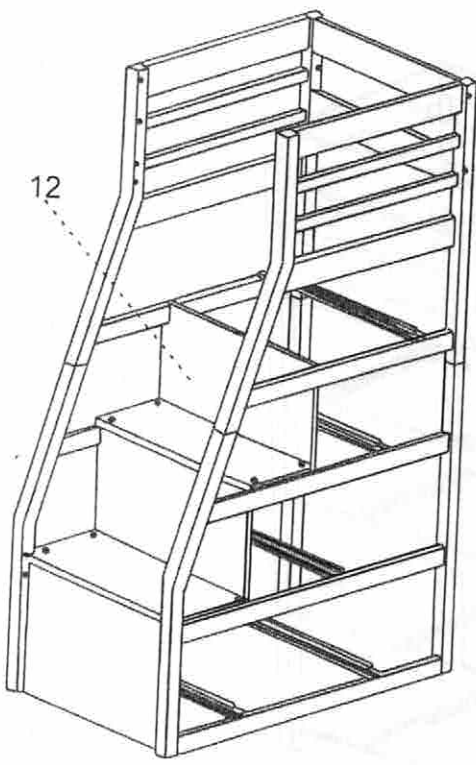
Step 6



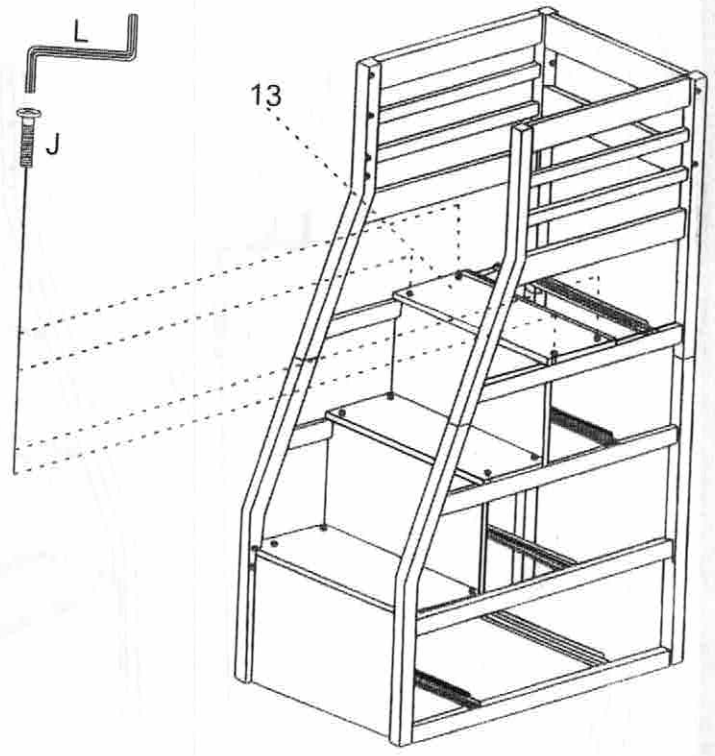
Step 7



Step 8



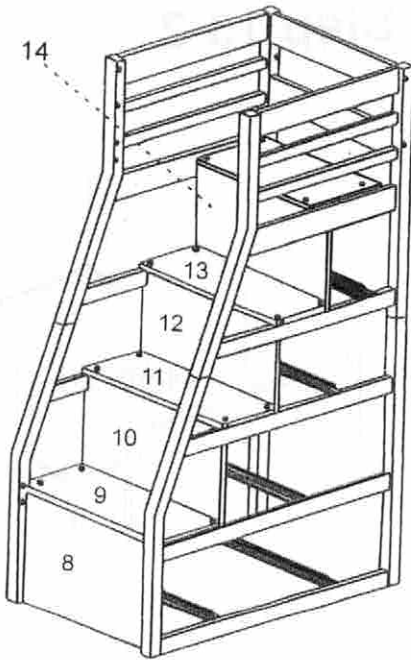
Step 9



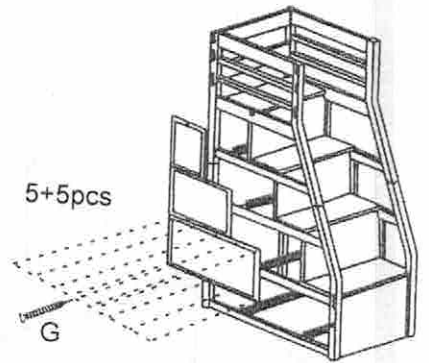
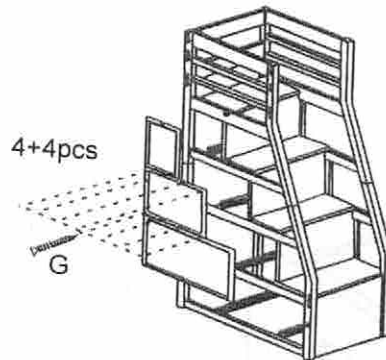
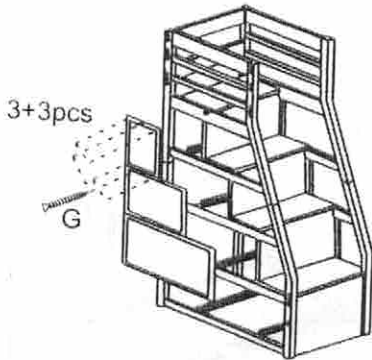
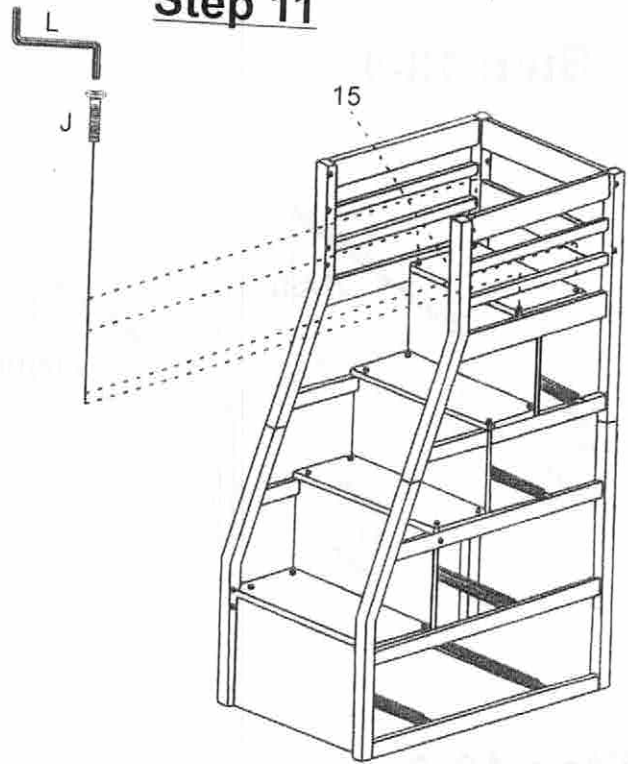
ASSEMBLY INSTRUCTION

MODEL: #HH3000 BUNKBED

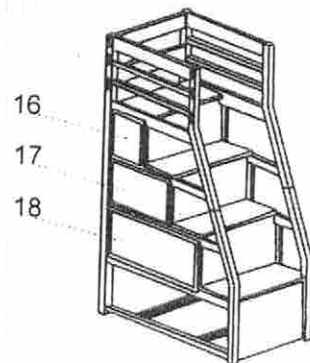
Step 10



Step 11



Step 12

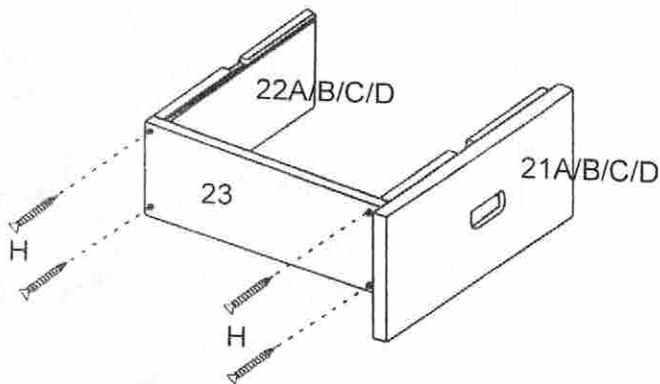


ASSEMBLY INSTRUCTION

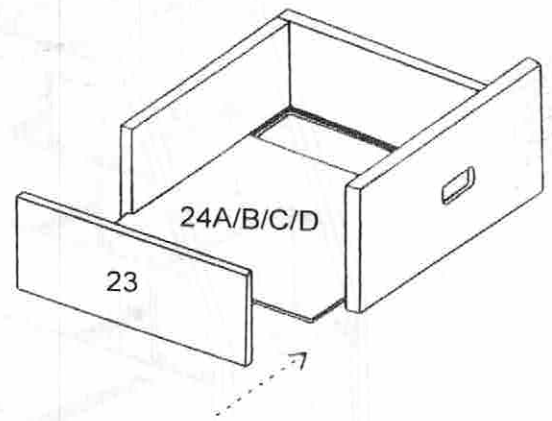
MODEL: #HH3000 BUNKBED

Step 15 To assemble the drawers

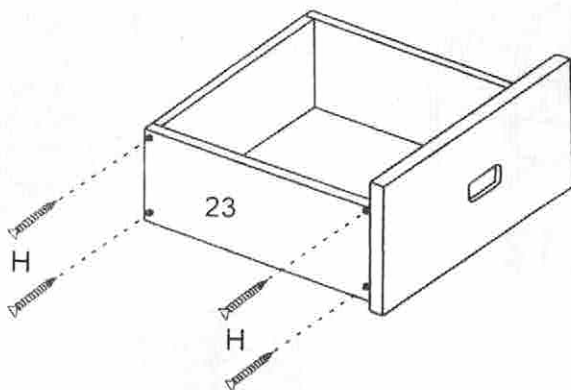
Step 13-1



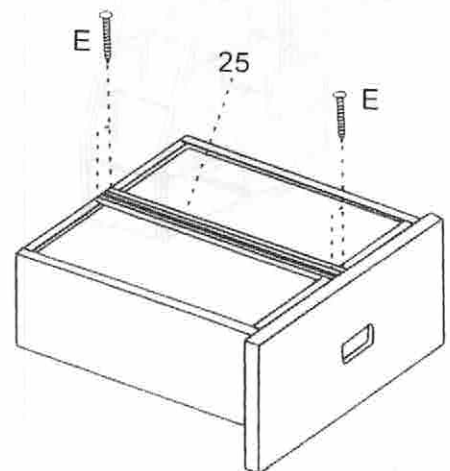
Step 13-2



Step 13-3



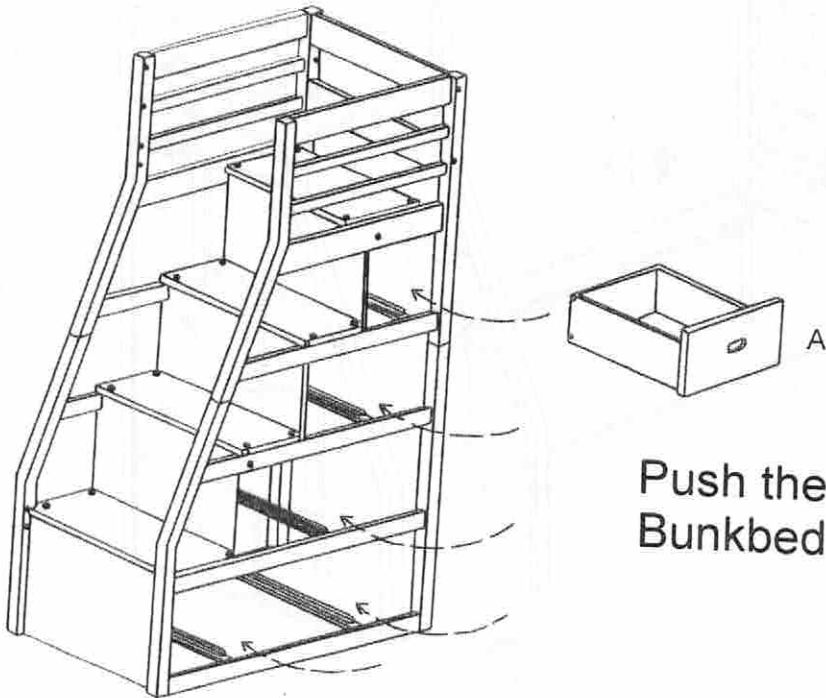
Step 13-4



ASSEMBLY INSTRUCTION

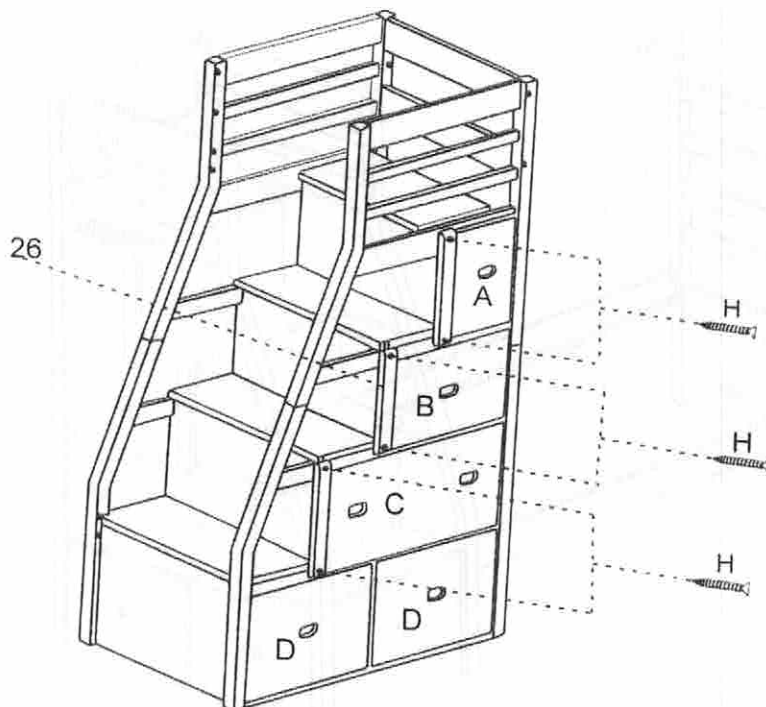
MODEL: #HH3000 BUNKBED

Step 14



Push the drawers into its position of Bunkbed as shown

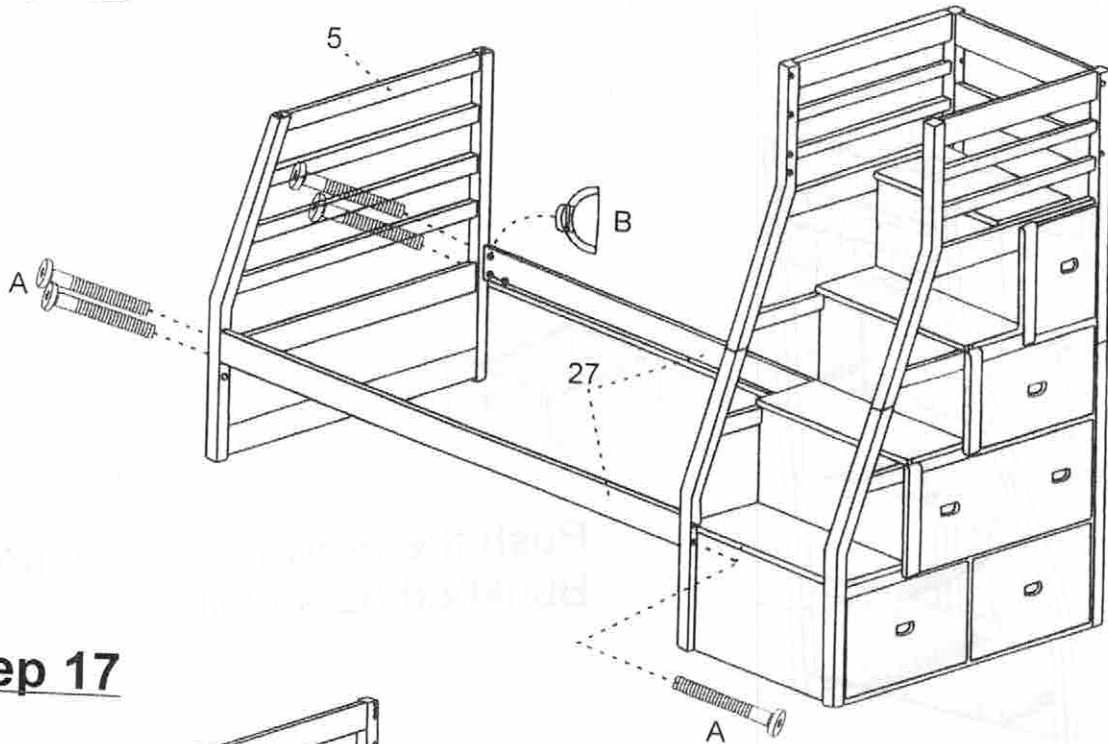
Step 15



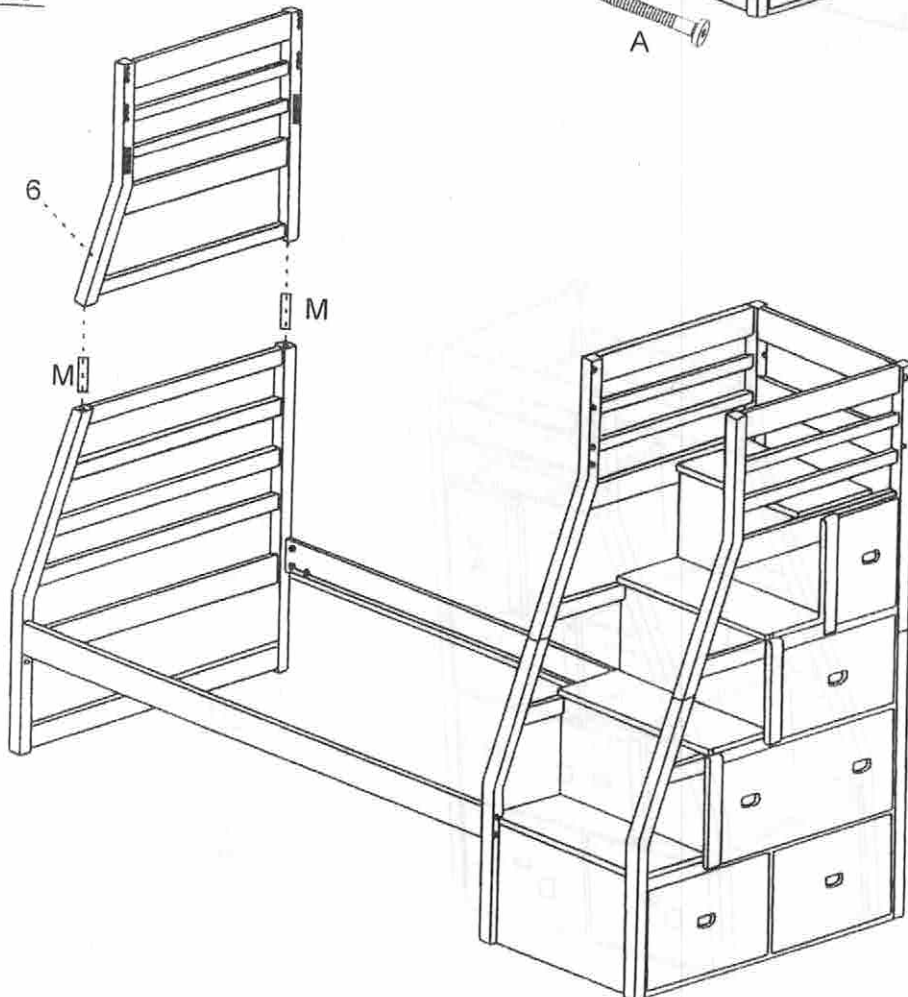
ASSEMBLY INSTRUCTION

MODEL: #HH3000 BUNKBED

Step 16



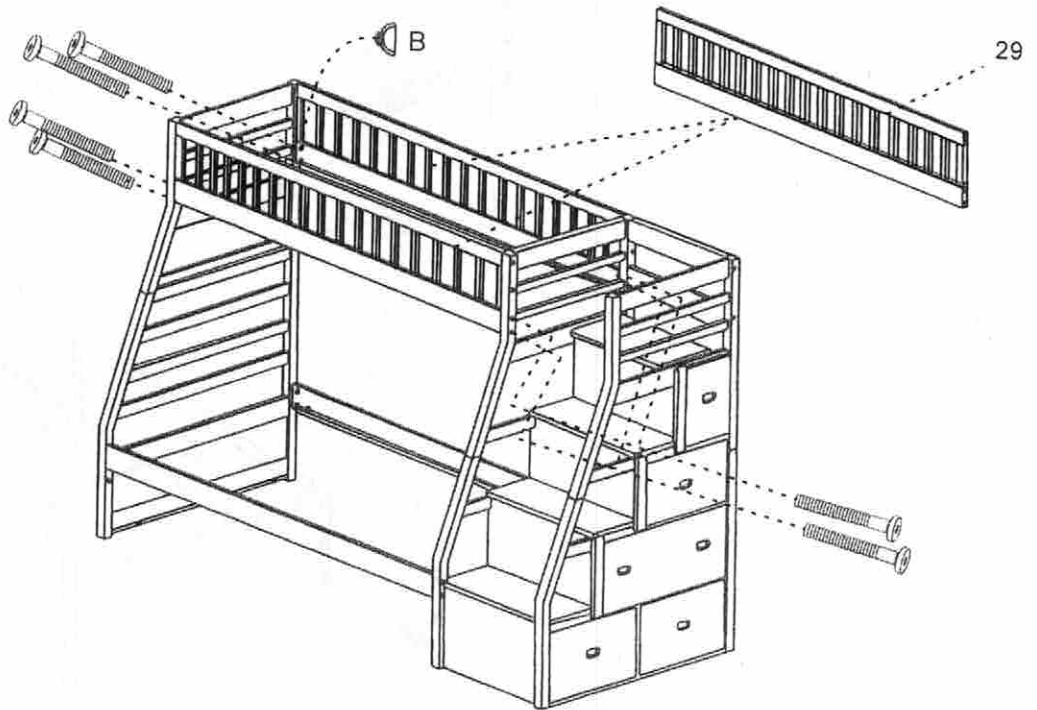
Step 17



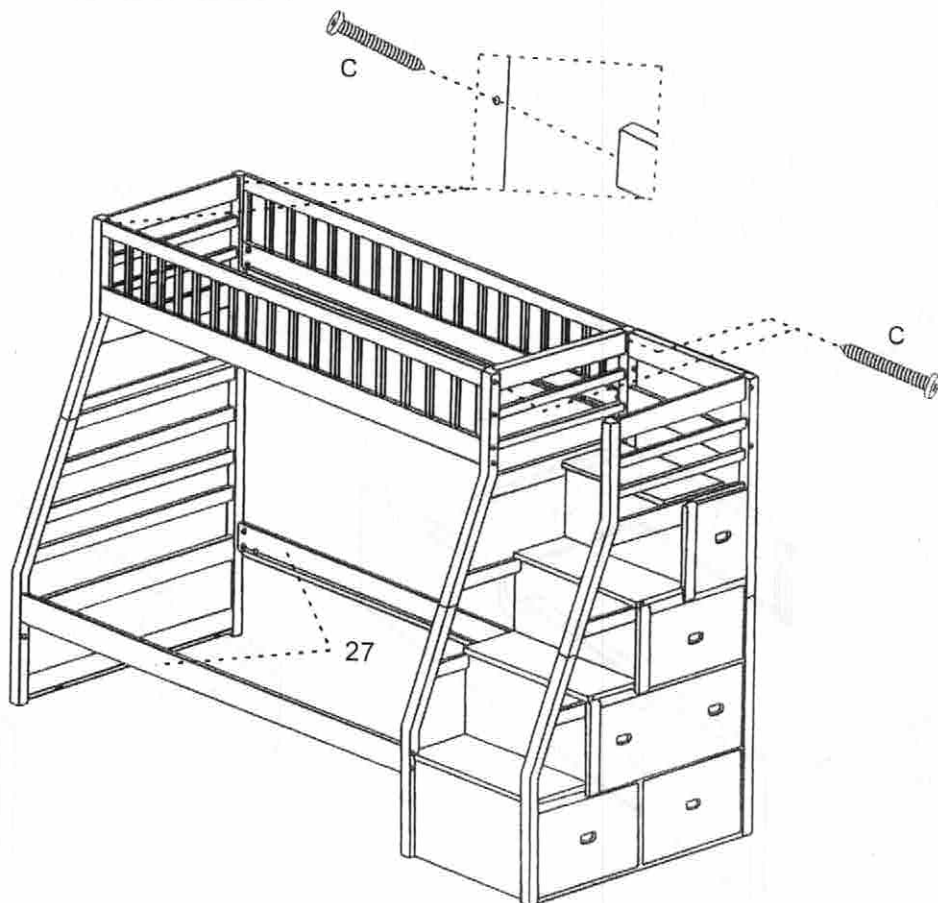
ASSEMBLY INSTRUCTION

MODEL: #HH3000 BUNKBED

Step 18



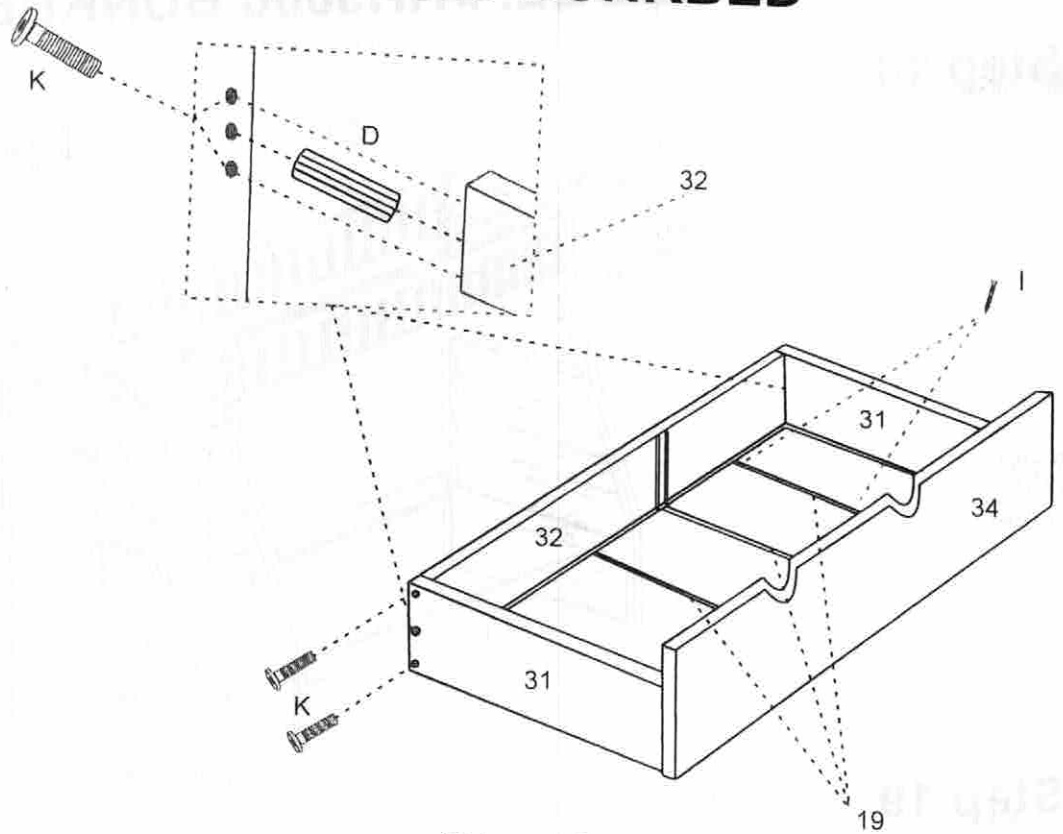
Step 19



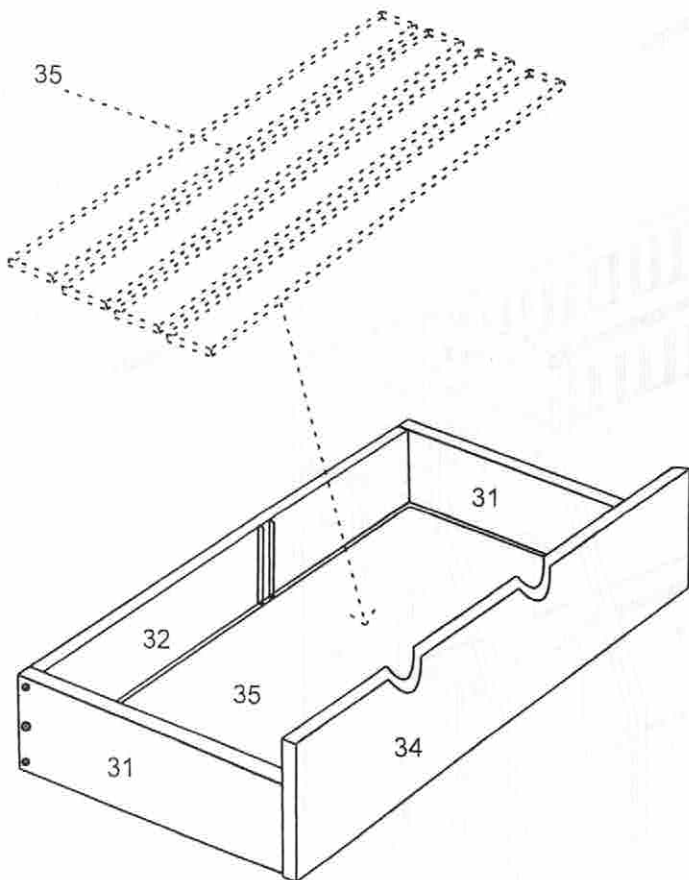
ASSEMBLY INSTRUCTION

MODEL: #HH3000 BUNKBED

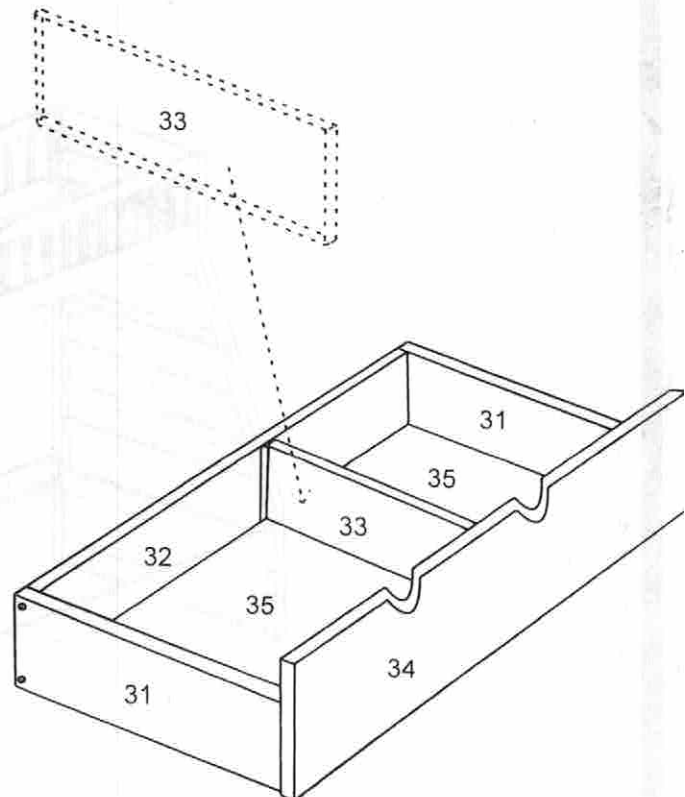
Step 20-1



Step 20-2



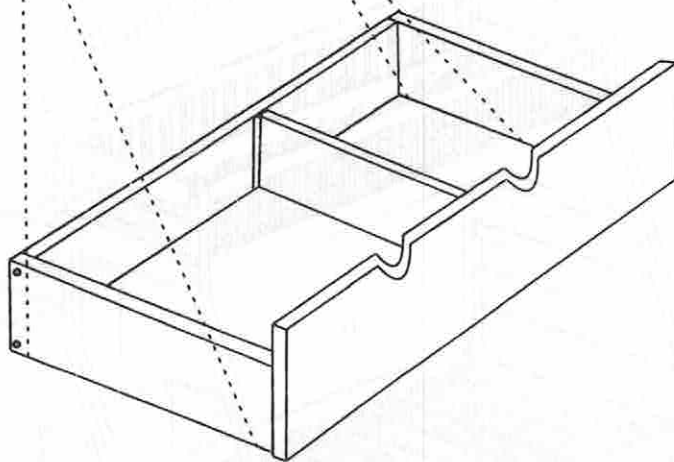
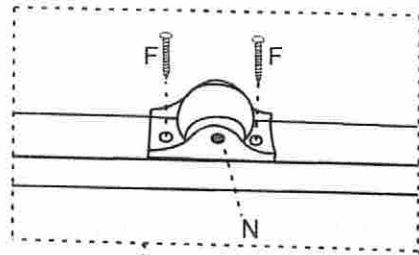
Step 20-3



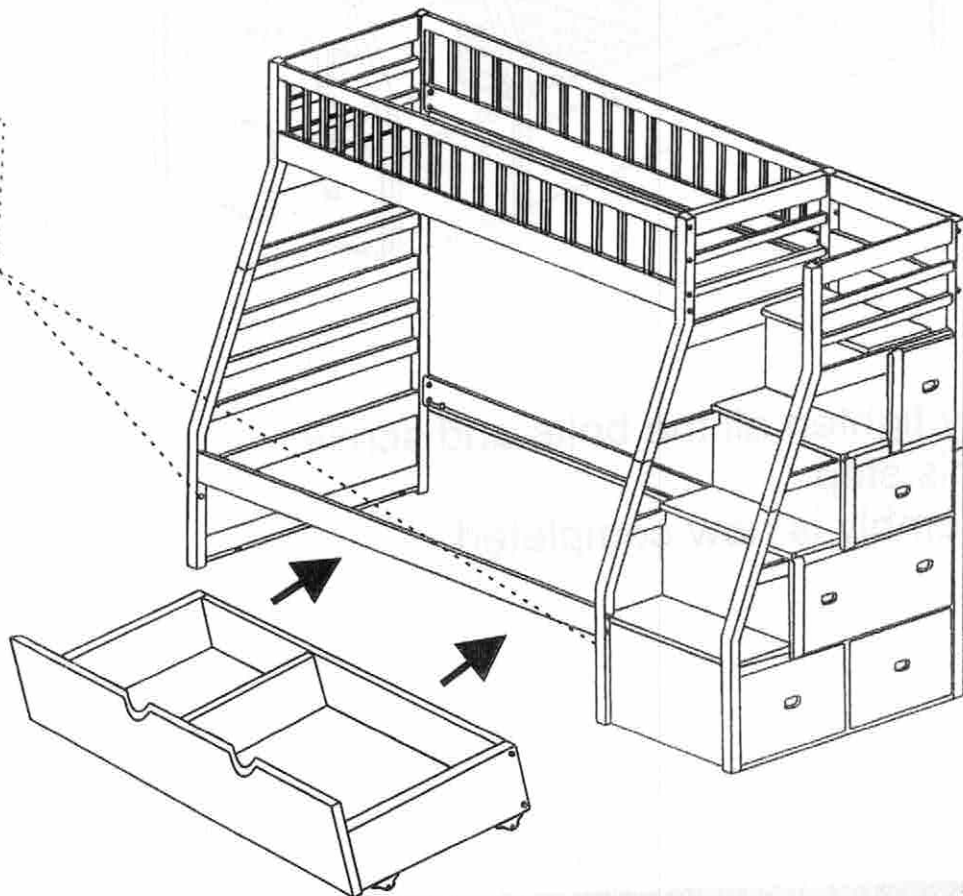
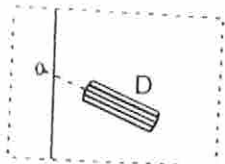
ASSEMBLY INSTRUCTION

MODEL: #HH3000 BUNKBED

Step 21



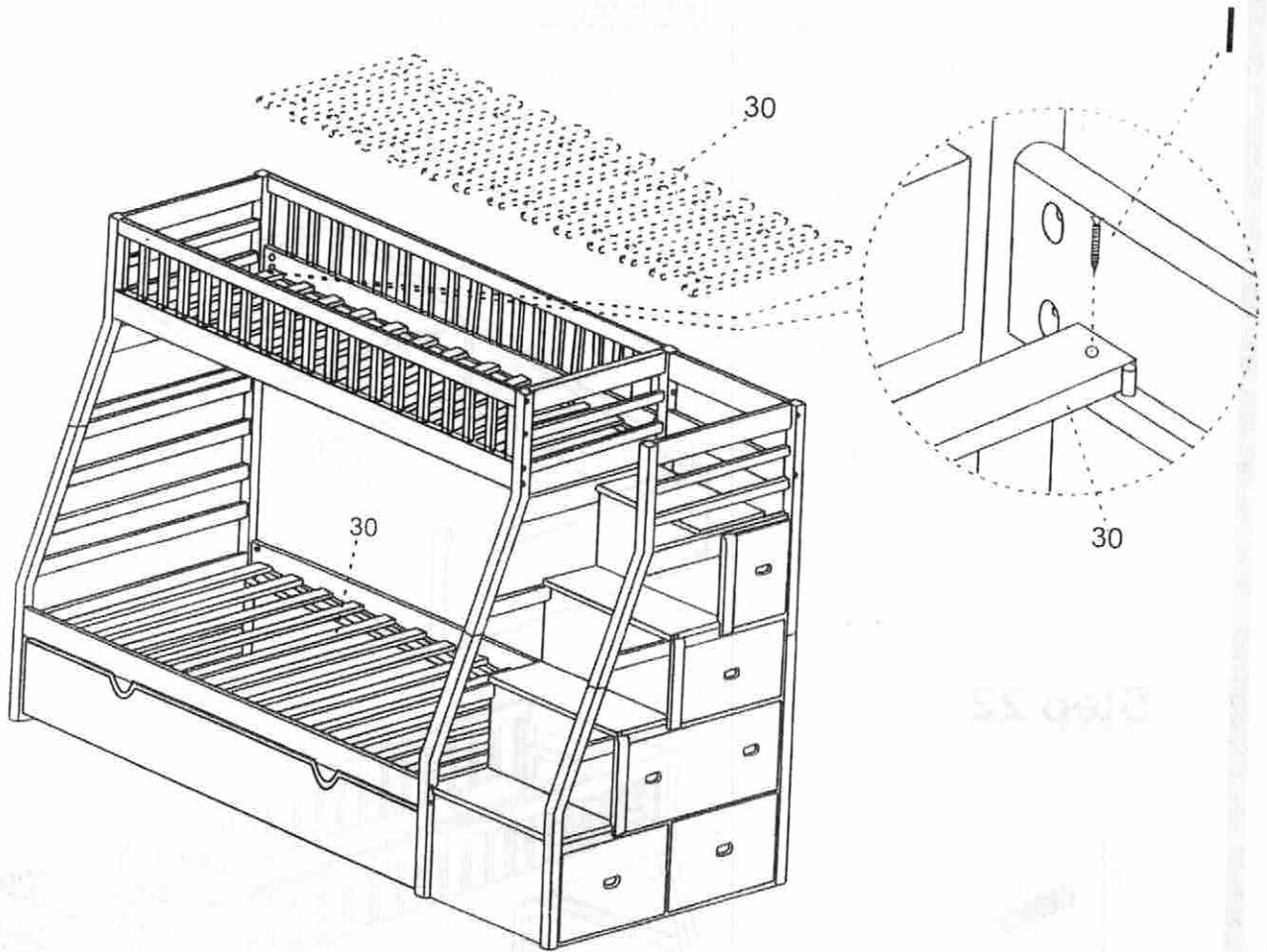
Step 22



ASSEMBLY INSTRUCTION

MODEL: #HH3000 BUNKBED

Step 23



Fully tighten all the bolts and screw
in this step.
Assembly is now completed